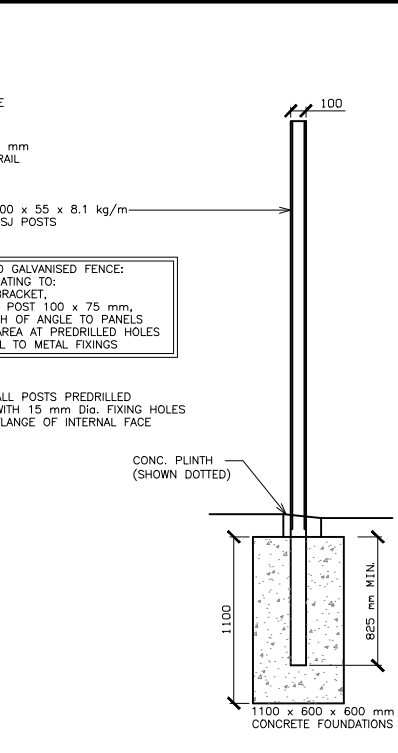
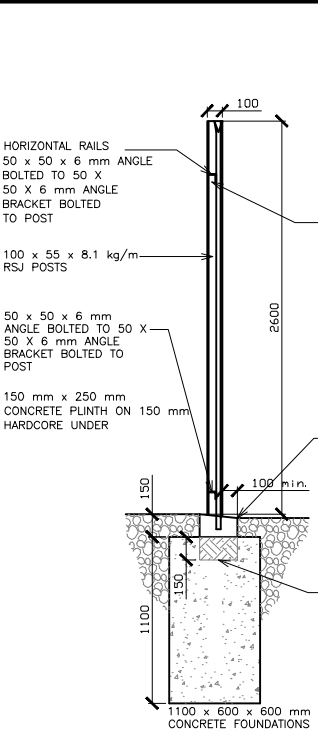


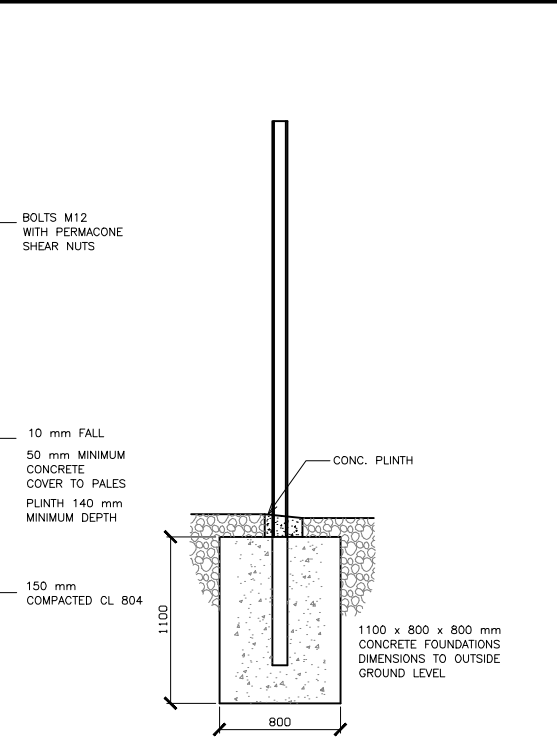
**ELEVATION OF FENCE**  
SCALE 1:50



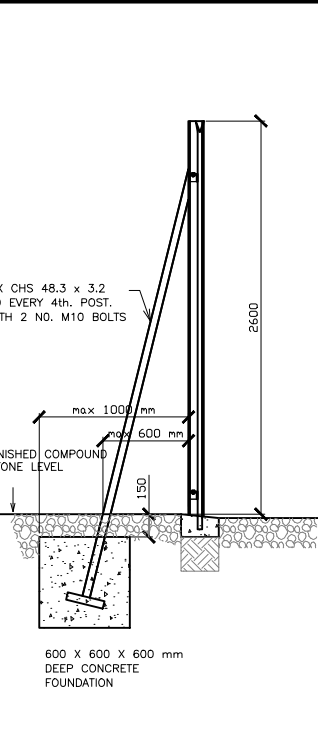
**SIDE ELEVATION OF POST**  
SCALE 1:50



**PALES & PLINTH DETAILS**  
SCALE 1:50

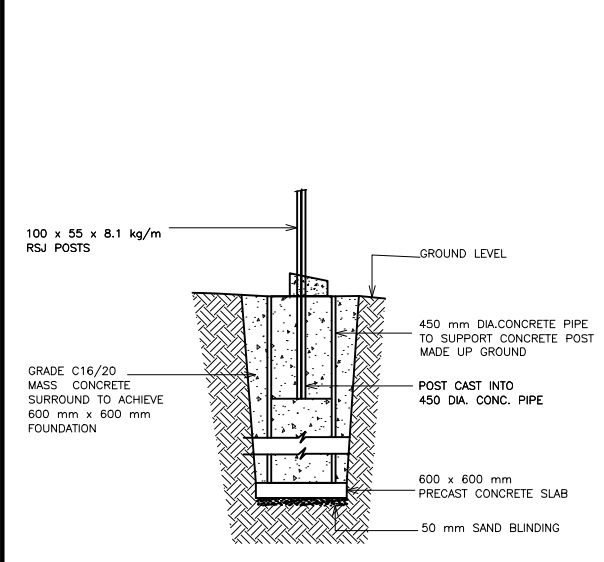


**DETAILS OF FOUNDATION TO CORNER POST**  
SCALE 1:50

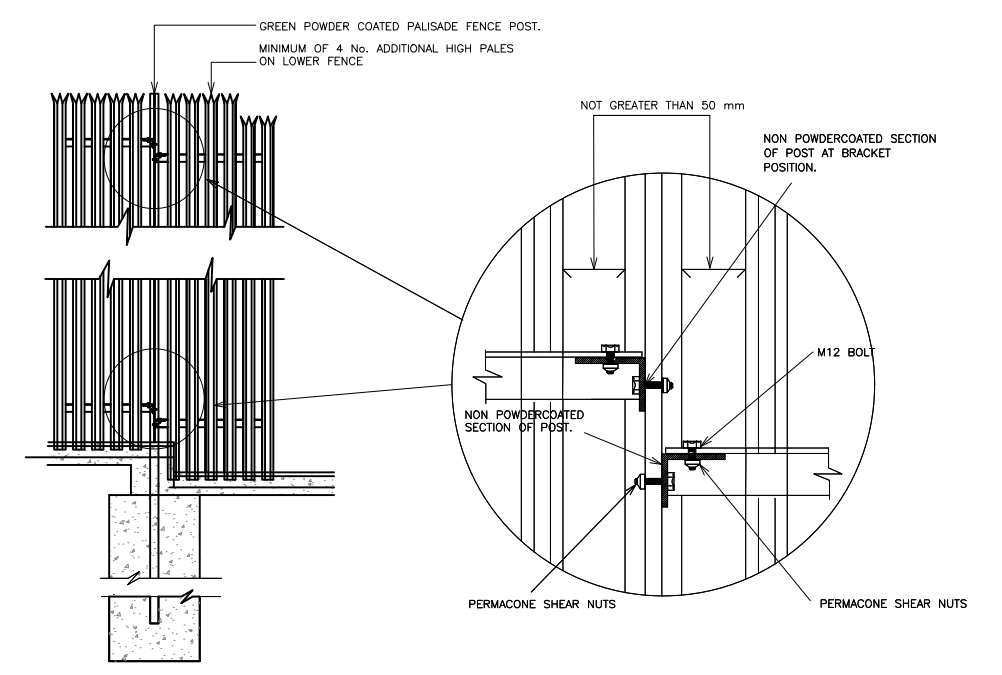


**DETAIL OF STRUTS TO FENCING**  
SCALE 1:50 (WHERE REQUIRED)

- NOTES
- THIS DRAWING IS NOT TO BE SCALED.
  - GALVANISING TO BE IN ACCORDANCE WITH BS EN ISO 1461.
  - POWDER COATING TO BE IN ACCORDANCE WITH BS EN 13438.
  - PALES TO BE TRIPLE POINTED & SPLAYED, AND WELDED TO RAILS IN ACCORDANCE WITH CL. 5.1 OF BS 1722
  - GAP BETWEEN PALES AND BETWEEN PALES AND RSJ TO BE NOT GREATER THAN 50 mm.
  - MINIMUM HEIGHT OF FENCE ON EITHER SIDE OF COMPOUND IS TO BE 2600 mm
  - IN AREAS OF MADE-UP GROUND ADDITIONAL CONCRETE TO BE USED IN BASE. QUANTITY TO BE APPROVED BY THE ENGINEER IN ADVANCE.
  - CONCRETE TO BE GRADE C30/37 TO BASES.
  - PALISADE FENCE TO HAVE GREEN POWDER COATING IN ACCORDANCE S. WITH B.S. EN 13438. COLOUR: MOSS GREEN RAL 6005.
  - PALISADE FENCE TO BE CONSTRUCTED IN ACCORDANCE WITH B.S. 1722 PART 12.

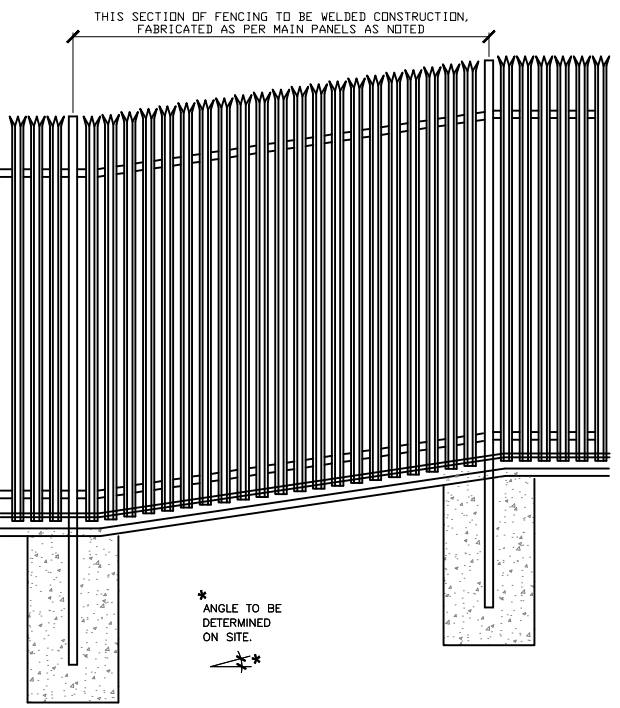


**DETAIL WHERE THERE IS MADE-UP GROUND**  
SCALE 1:50

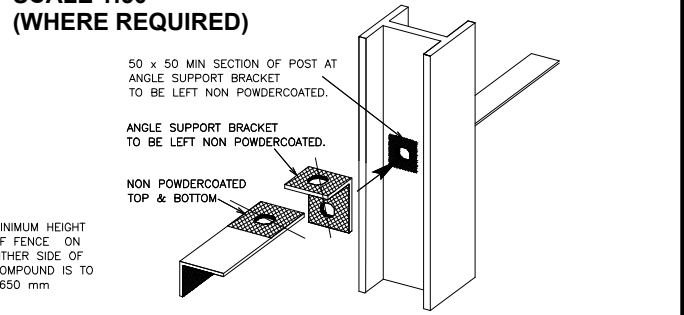


**STEP(S) IN PALISADE FENCE (WHERE APPLICABLE)**  
SCALE 1:50

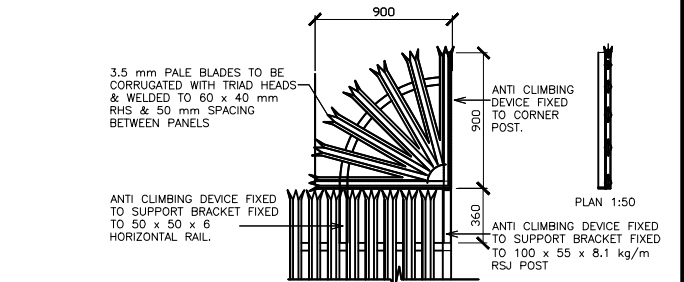
DEPTH OF STEP TO BE AGREED ON SITE, BUT NOT GREATER THAN 200 mm  
NOTE:- ADDITIONAL HIGH PALES ON LOWER FENCE.



**ELEVATION TO TYPICAL SLOPED SECTION OF FENCING**  
SCALE 1:50



**DETAIL OF COATING AT FIXING POINTS**  
SCALE 1:50



**DETAILS OF ANTI-CLIMBING AID (WHERE APPLICABLE)**  
SCALE 1:50

Rev	Date	Revision description	Drn	Prod	Ver	App
1	06.12.18	ISSUED FOR PLANNING	SB	SB	BL	DS
0	16.02.18	ISSUED FOR PLANNING	RK	RK	BL	DS

Purpose of issue - Preliminary unless indicated

Tender  Client approval  Construction  As-built  Revised

**ESB INTERNATIONAL**

One Dublin Airport Central,  
Dublin Airport, Cloughran, Co. Dublin

Tel: 353 1 703 8000 Email: marketing@esbi.ie  
Web: www.esbinternational.ie

ESB International is a trading name of  
ESBI Engineering & Facility Management Ltd.

Registered Office: as above  
Registered in Ireland No. 155249

Client  
**ESB WIND DEVELOPMENT LTD. AND BORD NA MOA POWERGEN LTD.**

Project  
**TIMAHOE NORTH SOLAR FARM**

Contract

Drawing title  
**TIMAHOE NORTH SOLAR FARM PALISADE FENCE DETAILS**

Production unit  
**ESB WIND DEVELOPMENT LTD**

COPYRIGHT © ESBI ENGINEERING & FACILITY MANAGEMENT LIMITED. All rights reserved. No part of this work may be modified or reproduced or copied in any form or by any means - graphic, electronic or mechanical, including photocopying, recording, taping or information-and-retrieval system, or used for any purpose other than its designated purpose, without the written permission of ESBI Engineering & Facility Management Ltd.

Drawn	Produced	Verified	Approved	Approved date
S. Bolton				
Client ref.	No. of sheets	Size	Scale	
TC219347	1	A3	AS SHOWN	
Drawing number		Sheet	Rev	
<b>PE605-D025-008-001-001</b>				